



ROCKFACE

| | | |
|--|--|---|
| <p>4" REGULAR 040000000RF207</p> | <p>*</p> <p>4" FACE & END CORNER 0400E0000RF207</p> | <p>4" L-CORNER 040300000RF207</p> |
| <p>*</p> <p>4" ³/₄ LENGTH FACE & END CORNER 049760000RF207</p> | <p>*</p> <p>6" ¹/₂ HIGH REGULAR 065000000RF207</p> | <p>6" PLAIN 060000000RF207</p> |
| <p>6" JAMB 060200000RF207</p> | <p>*</p> <p>8" HALF HIGH OPEN CORE 085710000RF207</p> | <p>*</p> <p>8" HALF HIGH JAMB 085200000RF207</p> |
| <p>*</p> <p>8" OPEN CORE 085710000RF207</p> | <p>8" PLAIN 080000000RF207</p> | <p>*</p> <p>8" JAMB W/SASH 080200000RF207</p> |
| <p>8" FACE & END CORNER 080300000RF207</p> | <p>8" HALF SQUARE SASH 080500000RF207</p> | <p>8" HALF SQUARE W/O SASH 080400000RF207</p> |

* Special Order - Units may be subject to short run charges and minimum order requirements.

2211 Highway 10 South • St. Cloud, MN 56304
320-251-6030 • 888-251-6030 • www.amconblock.com

ROCKFACE



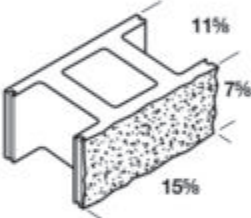
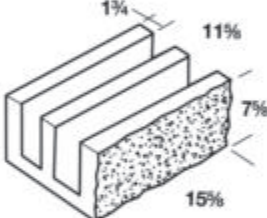
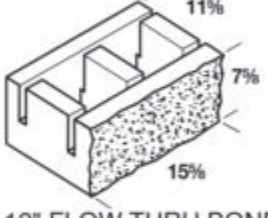
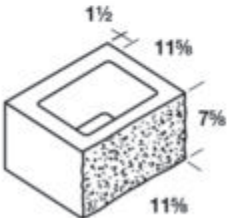
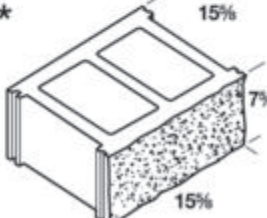
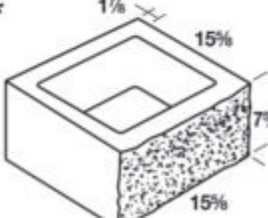
| | | |
|--|--|--|
| <p>8" FLOW THRU (KNOCK OUT) 087000000RF207</p> | <p>8" BOND BEAM 0872000000RF207</p> | <p>24" LONG FULL SQUARE W/SASH 080200000RF207</p> |
| <p>*</p> <p>10" FLOW THRU BOND BEAM 107000000RF207</p> | <p>*</p> <p>10" PLAIN 100000000RF207</p> | <p>*</p> <p>10" JAMB 100200000RF207</p> |
| <p>*</p> <p>10" BOND BEAM 107200000RF207</p> | <p>*</p> <p>12" REGULAR HALF HIGH 125000000RF207</p> | <p>*</p> <p>12" HALF HIGH JAMB 125200000RF207</p> |
| <p>12" REGULAR 122000000RF207</p> | <p>12" JAMB W/SASH 120200000RF207</p> | <p>*</p> <p>12" ENERBLOCK 128900000RF207</p> |
| <p>12" L-CORNER 120300000RF207</p> | <p>12" HALF SQUARE W/SASH 120500000RF207</p> | <p>*</p> <p>12" HALF SQUARE NO SASH 120400000RF207</p> |

* Special Order - Units may be subject to short run charges and minimum order requirements.

2211 Highway 10 South • St. Cloud, MN 56304
320-251-6030 • 888-251-6030 • www.amconblock.com



ROCKFACE

| | | |
|---|--|--|
| <p>* </p> <p>12" OPEN CORE 127100000RF207</p> | <p></p> <p>12" BOND BEAM 127200000RF207</p> | <p></p> <p>12" FLOW THRU BOND BEAM (KNOCK-OUT) 127000000RF207</p> |
| <p>* </p> <p>12" ³/₄ LONG 127600000RF207</p> | <p>* </p> <p>16" REGULAR 160000000RF207</p> | <p>* </p> <p>12" FULL SQUARE 160200000RF207</p> |

Special Order - Units may be subject to short run charges and minimum order requirements.

"I know this world is ruled by infinite intelligence. Everything that surrounds us - everthing that exists - proves that there are infinite laws behind it. There can be no denying this fact. It is a mathematical in its precision."

Thomas Edison

2211 Highway 10 South • St. Cloud, MN 56304
320-251-6030 • 888-251-6030 • www.amconblock.com