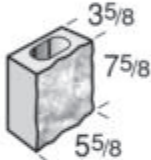
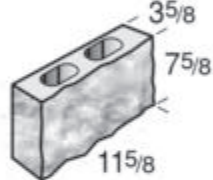
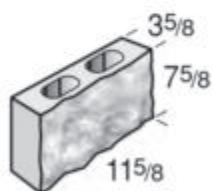
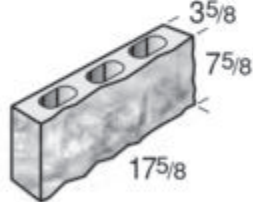
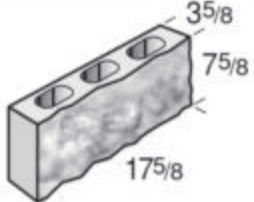
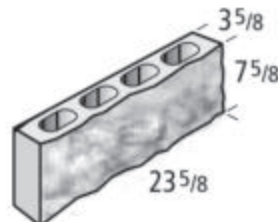
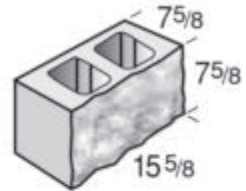
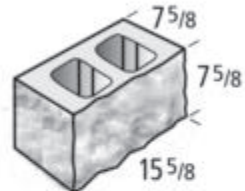




STONE MASON SERIES

<p>* </p> <p>4 X 8 X 6 STONE MASON SERIES</p>	<p>* </p> <p>4 X 8 X 12 CORNER STONE MASON SERIES</p>
<p>* </p> <p>4 X 8 X 12 STONE MASON SERIES</p>	<p>* </p> <p>4 X 8 X 18 CORNER STONE MASON SERIES</p>
<p>* </p> <p>4 X 8 X 18 STONE MASON SERIES</p>	<p>* </p> <p>4 X 8 X 24 STONE MASON SERIES</p>
<p>* </p> <p>8 x 8 x 16 STONE MASON SERIES</p>	<p>* </p> <p>8 x 8 x 16 CORNER STONE MASON SERIES</p>

18" Long, 12" Long and 6" Long Mixed Cubes:
 Square Feet per cube- 73.6
 Pieces per cube- 120 (40 pieces of each size)
 Weight per cube- 2880 Lbs.

24" Long, 12" Long and 6" Long Mixed Cubes:
 Square feet per cube- 69.12
 Pieces per cube- 96 (32 pieces of each size)
 Weight per cube- 2688

Mixed 18" Long Corner, 12" Long Corner &
 6" Long Plain Cubes:
 Square feet per cube- 88.8
 Pieces per cube- 120 (40 pieces of each size)
 Weight per cube 2880

* Special Order - Units may be subject to short run charges and minimum order requirements.

2211 Highway 10 South • St. Cloud, MN 56304
 320-251-6030 • 888-251-6030 • www.amconblock.com