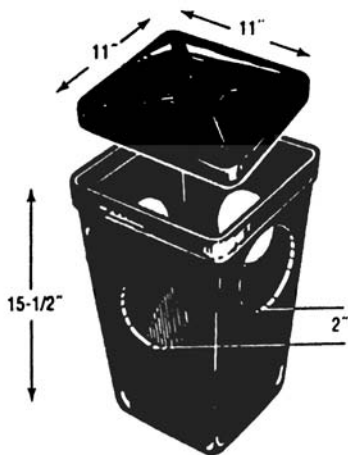
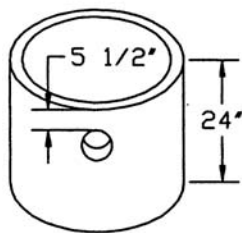
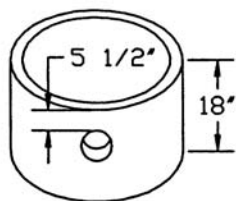
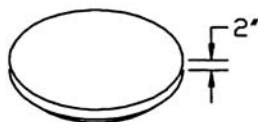
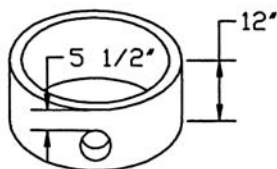
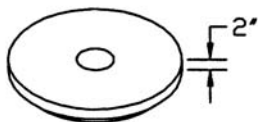
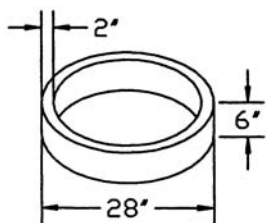


## 4-Hole Distribution Box

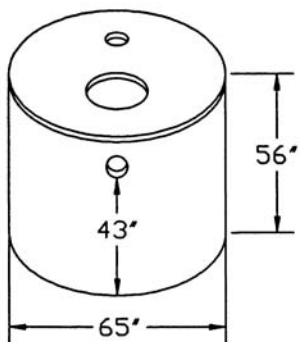


## PLASTIC DROP BOX Series B1

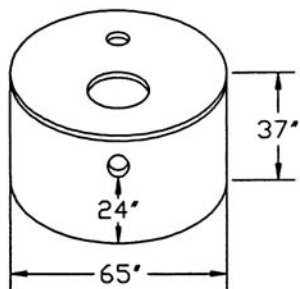
2211 Highway 10 South • St. Cloud, MN 56304  
320-251-6030 • 888-251-6030 • [www.amconblock.com](http://www.amconblock.com)



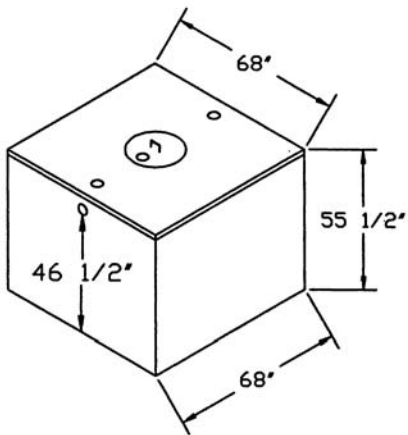
RISER RINGS  
4000 PSI CONCRETE



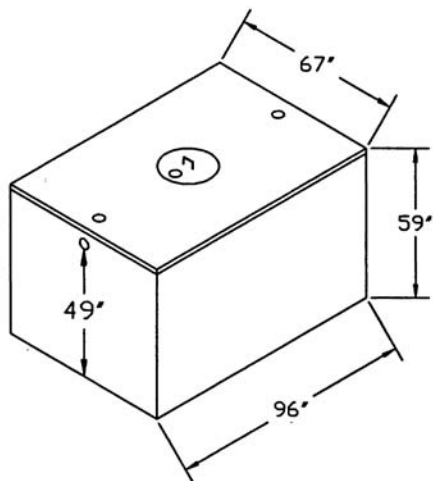
500 GALLON TANK



300 GALLON TANK

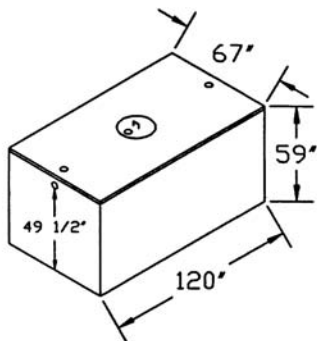


600 GALLON TANK

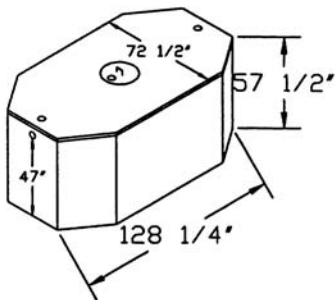


## 1000 GALLON SEPTIC TANK

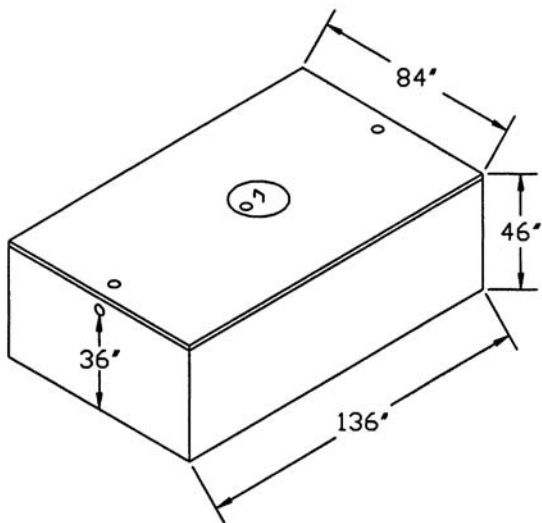
2211 Highway 10 South • St. Cloud, MN 56304  
320-251-6030 • 888-251-6030 • [www.amconblock.com](http://www.amconblock.com)



1250 GALLON SEPTIC TANK

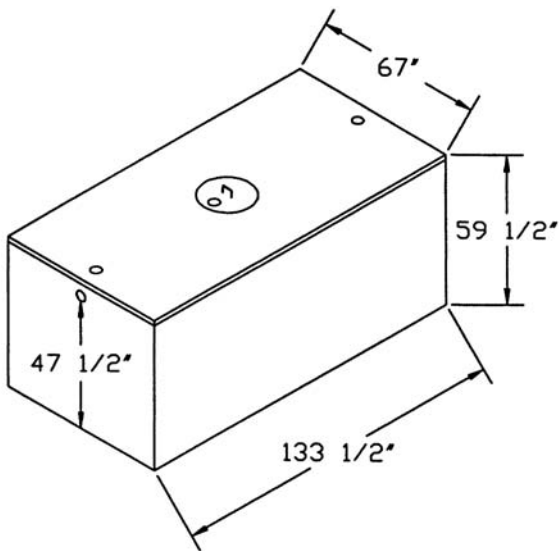


1250 GALLON CONCRETE TANK

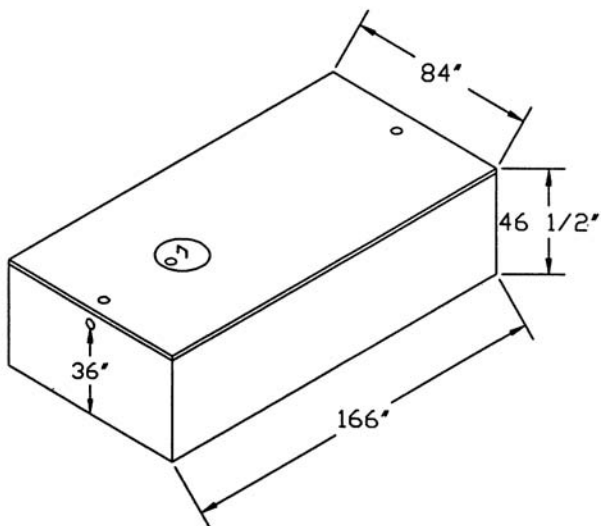


1250 GALLON SEPTIC TANK  
LOW-PROFILE

2211 Highway 10 South • St. Cloud, MN 56304  
320-251-6030 • 888-251-6030 • [www.amconblock.com](http://www.amconblock.com)

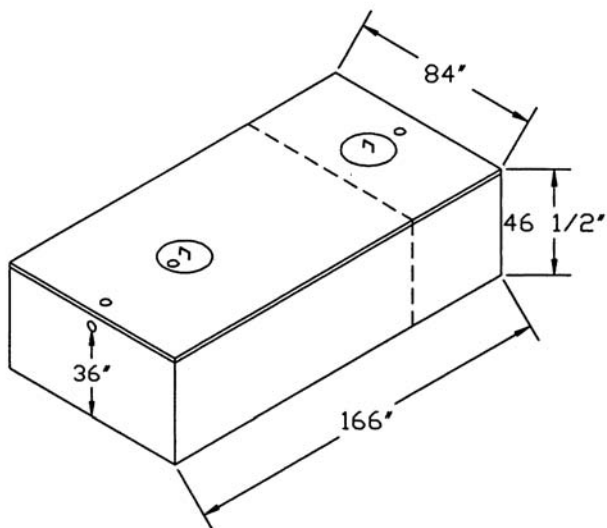


1375 GALLON TANK  
AMCON - ST. JOE



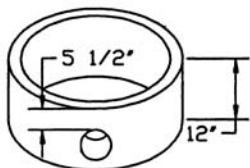
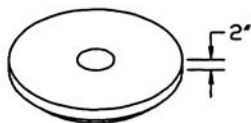
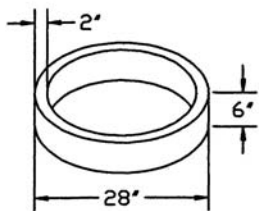
1500 GALLON SEPTIC TANK  
LOW-PROFILE

2211 Highway 10 South • St. Cloud, MN 56304  
320-251-6030 • 888-251-6030 • [www.amconblock.com](http://www.amconblock.com)

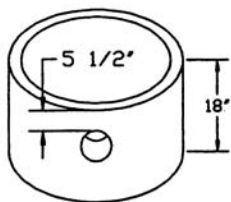


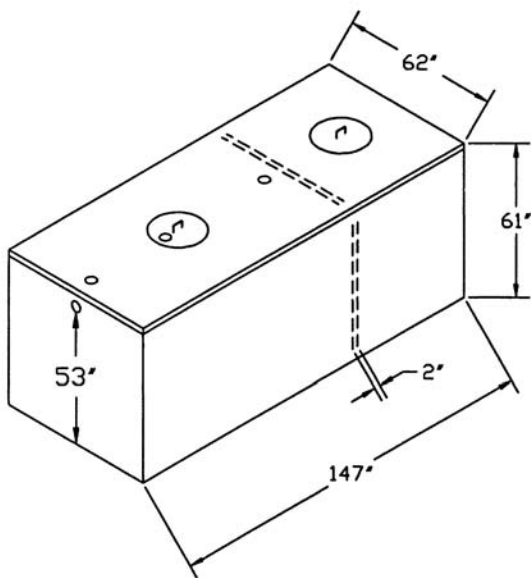
1500 GALLON COMPARTMENT  
LOW-PROFILE  
1000/500

2211 Highway 10 South • St. Cloud, MN 56304  
320-251-6030 • 888-251-6030 • [www.amconblock.com](http://www.amconblock.com)

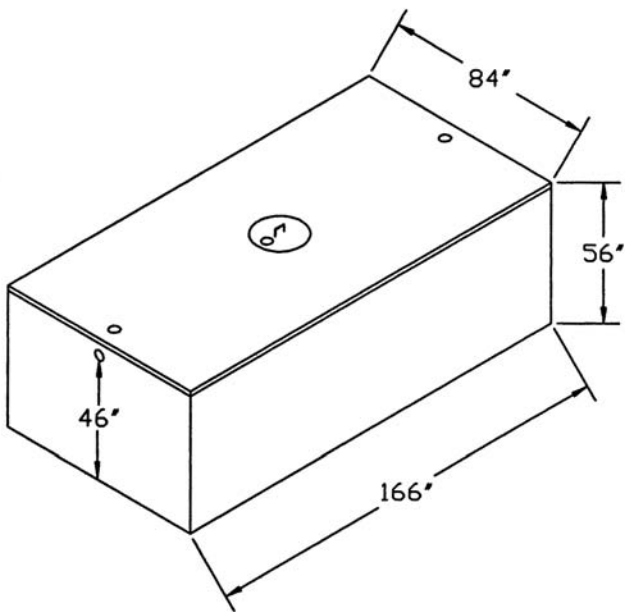


RISER RINGS  
4000 PSI CONCRETE



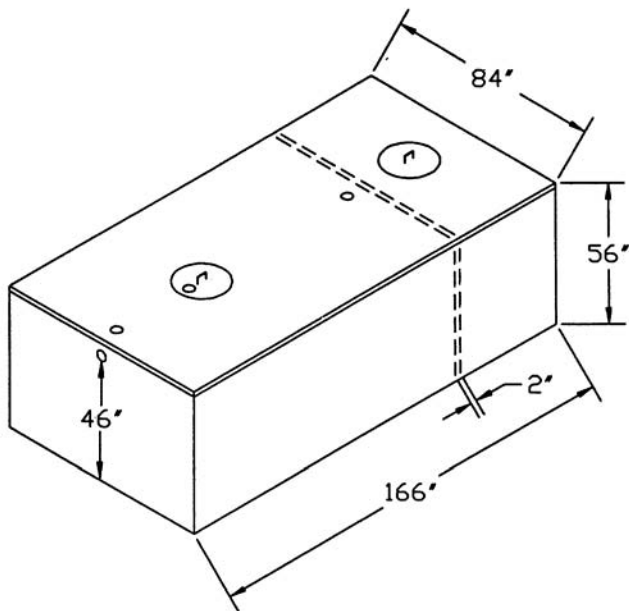


1600 GAL. SEPTIC TANK  
WITH A LIFT STATION TANK  
1000/600



## 2000 GALLON SEPTIC TANK

2211 Highway 10 South • St. Cloud, MN 56304  
320-251-6030 • 888-251-6030 • [www.amconblock.com](http://www.amconblock.com)



2000 GALLON SEPTIC TANK  
WITH LIFT STATION  
1300/700

2211 Highway 10 South • St. Cloud, MN 56304  
320-251-6030 • 888-251-6030 • [www.amconblock.com](http://www.amconblock.com)



## SB2 GRAVEL-LESS LEACH BED PIPE

- A.** Promote improved distribution of wastewater in the trench.
- B.** Increases retention of solids in the pipe.
- C.** Increase capillary movement of wastewater around the soil interface.
- D.** Eliminate the need for gravel and reduce heavy equipment traffic.
- E.** Reduce labor and installation costs.  
Pipe delivered with your tank.

SB2 Gravel-less Pipe available in both 10 ft.  
or 20 ft. lengths.